

TECHNICAL SUBMISSION

Trigon XXL EVO 1700 Gas Fired Ultra Low NOx Condensing Boiler

General Description:

The Trigon XXL EVO 1700 boiler is one of a range of 10 floor standing, stainless steel, fully modulating, ultra-low NOx, gas fired condensing boilers, with maximum outputs ranging between **639 & 1953kW @ 80/60°C ΔT**. Trigon XXL EVO boilers use downward firing pre-mix, water cooled burners which, combined with precise gas to air mixing, results in **extremely low environmental impact NOx emissions (EN 15502) of 20 mg/kWh**. The boiler is calculated to have a **Gross Seasonal Efficiency of 95.9%** which meets with the efficiency criteria as set out in the Non-domestic Building Services Guide Compliance Guide 2010 Edition (with 2011 amendments).

The boiler is very versatile and capable of operating at design condition anywhere between ΔT 10 °C and ΔT 30 °C.

The Trigon XXL EVO 1700 Boiler is supplied with a downward firing burner and three heat exchangers. The first and the third are constructed from smooth stainless steel tubes, whilst the second heat exchanger is assembled using laser welded stainless finned tubes for enhanced heat transfer.

Compliance with Conformity with the following:

Standards:

EN 15502-1
EN 15502-2-1
EN 55014-1/-2
EN 61000-3-2—3
EN 60335-1/-2

Directives:

1992/42/EEC (Boiler Efficiency Directive)
2016/426/EEC (Gas Appliance Regulation)
2041/35/EU (Low Voltage Directive)
2014/30/EU (EMC Directive)
2009/125/CE Energy Related Products
811-813-814/2013 EU regulation
Single boilers 300kW and above, must be installed in compliance with BS6644.

The product is designated with CE Number

CE0063CR3158



Warranty: To activate warranty, you must **register your product** within six months of the purchase date. This can be completed by telephone or email.

Tele: **0333 240 8777 option One** - New product registrations.

e-mail: **customer.service.uk@ariston.com**

The following information must be provided:

Appliance serial number

Purchase date

Installation date

Site contact name, email address and telephone number

Product installation address.

On the condition that the product has been installed to manufacturers instructions and the warranty terms and conditions have not been compromised, the standard warranty term for the **TRIGON XXL boilers** is **two years** from date of purchase.

All products that are **not registered**, will have a **one year** warranty period and this will cover **material and manufacture fault**, subject to the product being installed to manufacturers instructions.

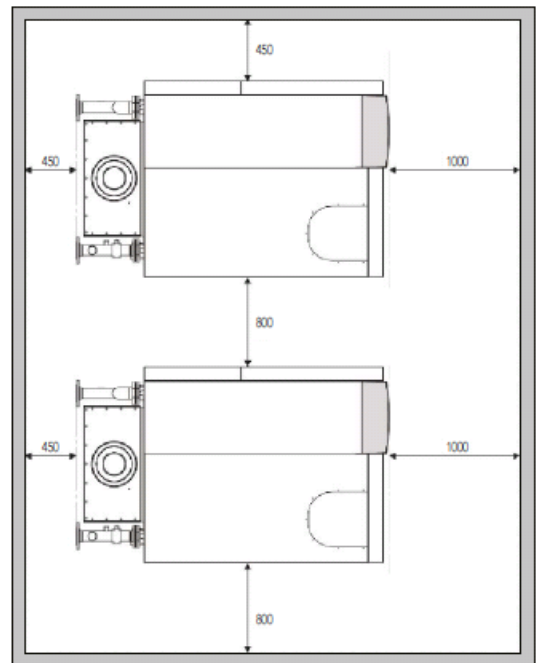
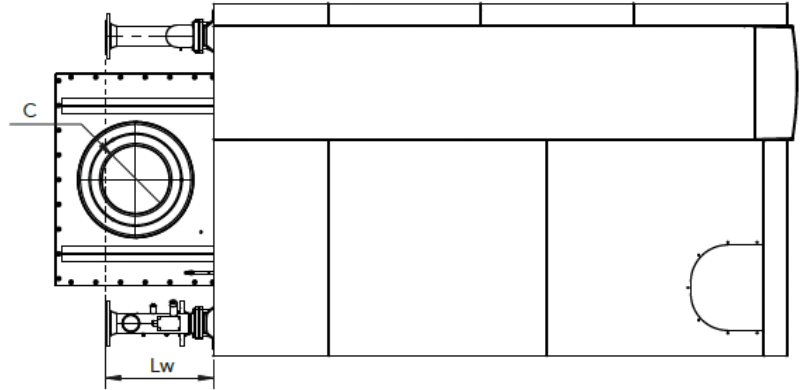
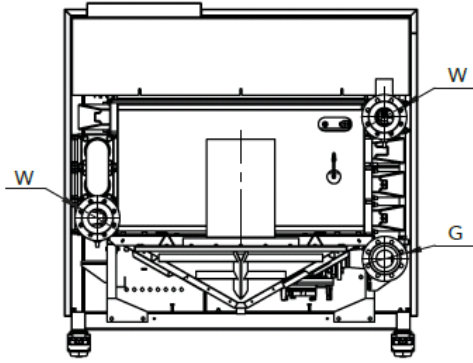
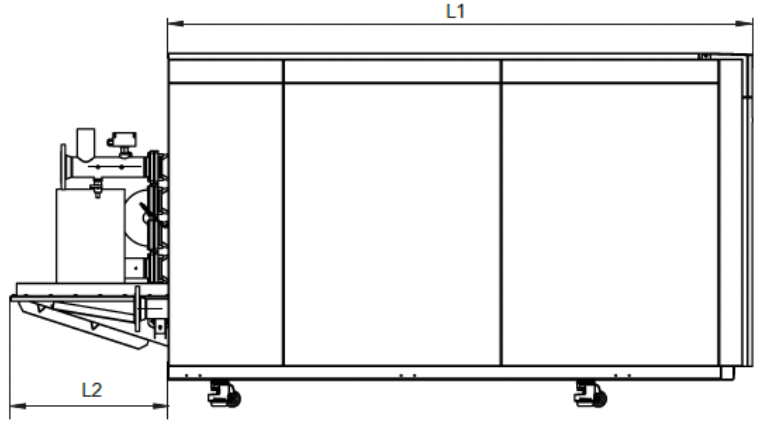
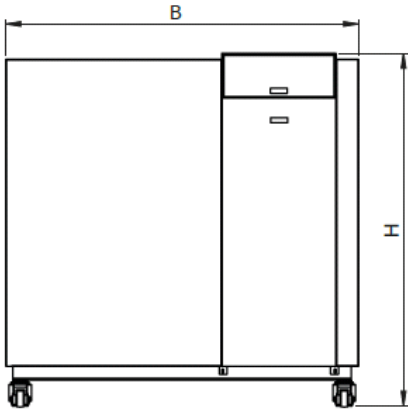
Technical Data:

Boiler Model	Trigon XXL EVO 1700	
Nominal Heat Output @ 80/60°C	1630	kW
Minimum Heat Output @ 80/60°C	464	kW
Nominal Heat Output @ 40/30°C	1741	kW
Minimum Heat Output @ 40/30°C	522	kW
Nominal Heat Input Full Load – Net	1666	kW
Minimum Heat Input Min Load – Net	476	kW
Efficiency @ 80/60°C Full Load Net – Gross	97.8/88.1	%
Efficiency @ 40/30°C Min Load Net – Gross	109.7/98.8	%
Efficiency @30°C Return 30% Load Gross	97.7	%
Gross Seasonal Efficiency *	95.9	%
Gas Consumption max/min Nat Gas G20	152.8/43.7	m ³ /h
Gas Consumption max/min LPG G31	130.2/37.2	kg/h
Gas Inlet Pressure Nominal Nat Gas G20	35	mbar
Gas Inlet Pressure Nominal LPG G31	50	mbar
NOx Emissions (EN15502)	20	mg/kWh
BREAM Credits **	2	-
Flue Gas Temperature @ 80/60°C Full Load	69	°C
Max Permissible Flue Resistance	150	Pa
Water Pressure Max/Min	8/1.5	Bar
Maximum Temperature Set-point	90	°C
Water Flow @ ΔT 11K	35.4	lit/sec
Hydraulic Resistance @ ΔT 11K	532	kPa
Water Flow @ ΔT 20K	19.4	lit/sec
Hydraulic Resistance @ ΔT 20K	160	kPa
Water Flow @ ΔT 30K	13.0	lit/sec
Hydraulic Resistance @ ΔT 30K	72	kPa
Electrical Connection	400	V
Electrical Power consumption boiler	2770	W
Sound Power Level	68.7	dB(A)
Weight (empty)	2201	Kg
Water Content	166	Litres
Dimensions		
Water Connections (W)	DN80 PN16	-
Gas Connection (G)	DN65 PN16	-
Flue Gas Connection (C)	500	mm Ø
Air Intake Connection (Room sealed operation)	450	mm Ø
Condensate Connection	40	mm Ø
Boiler Length (Including Connections)	3310	mm
Boiler Length (Excluding Connections (L1)	2600	mm
Length Chimney Plate (L2)	710	mm
Width (B)	1570	mm
Height (H)	1575	mm

* In accordance with equation 2 in the Non-Domestic Building Services Compliance Guide

** BREAM UK New Construction 2018

Dimensions & Clearances:



Trigon XXL EVO 1700 Clearances	mm
Front	1000
Rear	450
Sides (between boilers)	450
Recommended at one side of layout	800